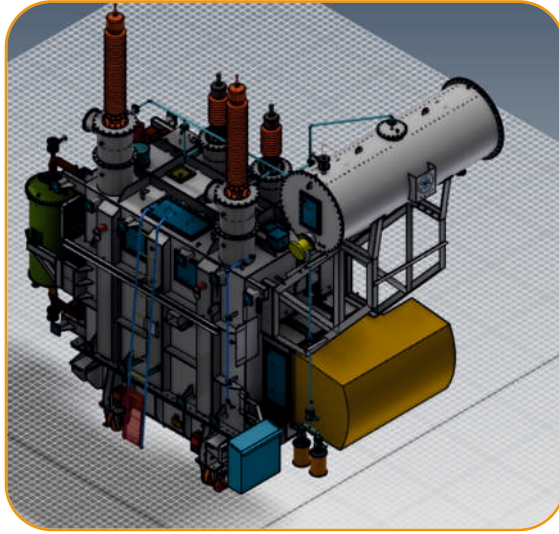




WHAT WE DO

■ **SkipperSeil Ltd. is the manufacturer of major Substation equipment for Generation, Transmission and Distribution installed in over 50 countries, with forward integration in EPC Projects, mainly in Africa, Middle East, India and SAARC countries. Skipper is ISO - 14001: 2015, ISO 45001: 2018, NABL & CE certified manufacturing company.**

SkipperSeil Ltd. is the manufacturer of major Substation equipment for Generation, Transmission and Distribution installed in over 50 countries, with forward integration in EPC Projects, mainly in Africa, Middle East, India and SAARC countries. Skipper is ISO - 14001: 2015, ISO 45001: 2018, NABL & CE certified manufacturing company. Skipper has got R&D status by the Department of Scientific and Industrial Research (DSIR). In-house R&D focuses on development of new and innovative products & solutions and incremental improvements in existing products for competitive edge. Skipper's best-in-class product range through its manufacturing units in India, UAE & Africa includes Power Transformers up to 500MVA/765kV, Distribution Transformers up to 5MVA 33kV, Inverter Duty Transformers for Solar Applications (5 windings), Three phase Wind Energy Transformers, Current & Voltage Transformers up to 220kV. Skipper also offers Compact/Package Substations up to 33kV, Heavy Duty Mining Transformers, Induction/Arc Furnace Transformers, Rectifier Transformers, Indoor & Outdoor Metering Units up to 33kV, SCADA, Automation & Instrumentation Panels etc. Skipper products are time- to- time type-tested by internationally accredited laboratories such as ASTA, CPRI and ERDA according to IEC/ANSI/IS standards and are approved by various leading utilities in India, UAE, Nigeria, Ghana, Kenya, South Africa and more. Skipper has also got client approval from various renowned organizations like EIL, Powergrid, NTPC, Dangote Group, TCN (Nigeria), NIPP (Nigeria), ECG (Ghana), GRIDCo (Ghana), CEB (Togo) and many other Transmission and Generation companies. Skipper has also successfully forward-integrated into EPC for EHV Substations, Transmission lines up-to 400kV & Power Plants viz. Thermal, Gas and Hydro Generation with a track record of timely delivery and quality.



VIT Software, 3D Modeling & Analytical tools to optimize Product Design



Raw Material Test Labs



State-of-the-Art UHV Transformer Test Laboratory



2400KVP, 360k_J (Expandable) Impulse Generator and 6 Channels Partial Discharge Testing Facility

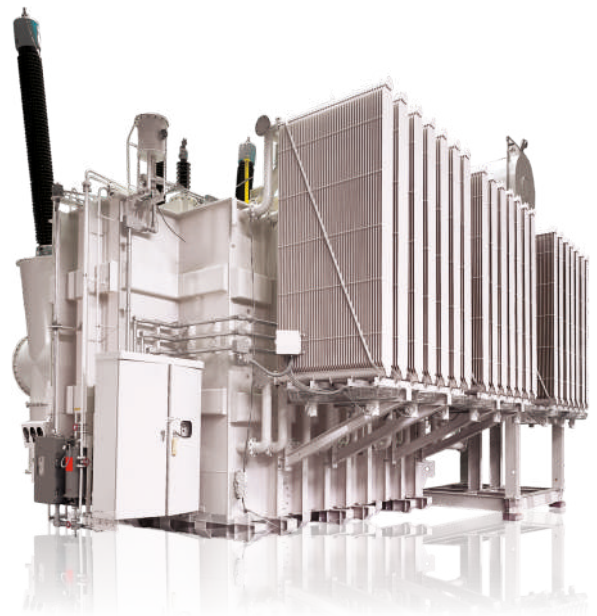
DESIGN, QUALITY & TEST CAPABILITY

Skipper's Technology mission is to produce reliable and sustainable products which work uninterrupted for life time. Each electrical design is validated by state-of-the-art computer programs in terms of electrostatic stress distribution, transient over voltages, electromagnetic leakage field distribution for stray loss control, electrodynamic short-circuit withstand capability, thermal heat balance and hot spots etc. These programs have been validated by actual testing and field experience of several transformers in satisfactory operation across the Globe. Our test laboratories are equipped with state-of-the-art testing equipment/instruments to conduct the routine, type and special tests as per IEC 60076/IS 2026 standards. Our plant includes State-of-Art facilities like Air-conditioned Winding shop, Air-conditioned Core Building & CCA, Vapour Phase Drying Oven & NABL accredited testing laboratory.



POWER TRANSFORMER

Skipper's manufacturing range includes Power Transformers upto 500MVA with rated voltage upto 765kV. Skipper Power Transformers are well known for their quality, reliability and dependability for operation even under adverse environmental conditions. Skipper Transformers are operating satisfactorily globally for over the last three decades. All our Transformers are subjected to various tests and measurements in accordance with relevant IEC/IS standards as per specification of clients. Our products are type tested in 3rd party laboratory such as CPRI and ERDA to validate new product designs or to meet contractual requirement. Several successful Short Circuit tests on our transformers indicate our design and manufacturing capability to produce Transformer to sustain short circuit forces during service without any adverse effects on performance.



Coil Winding of 500MVA, 400kV Transformer on Vertical Winding Machine



500MVA, 400kV Transformer Core Building Assembly



500MVA, 400kV Transformer Testing



Range of Transformers



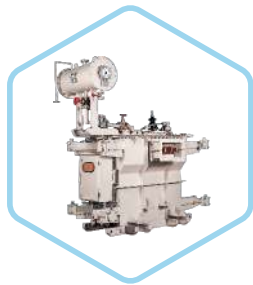
Power Transformer

Type : Generator Transformers, Sub-Station Transformers, Unit Auxiliary Transformers, System Transformers, Interconnecting Transformers and Multi winding Transformers for specific needs
Range : Upto 500MVA Three Phase & Single Phase
Voltage : Upto 765kV Class
Cooling : ONAN/ONAF/OFAF/ODAF, ODAF, ODWF



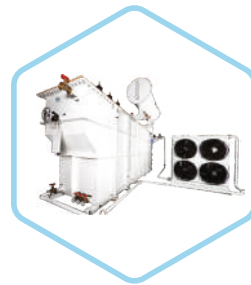
Induction Furnace Transformer

Type : Arc/Submerged Arc/ Ladle/ Induction D.C. Furnace Transformers
Range : Upto 50MVA
Voltage : Upto 52kV Class
Cooling : ONAN/ONAF/OFWF



Solar Inverter Transformer

Type : Inverter Duty multi winding (1HV+ 4LV)
Range : Upto 15MVA
Voltage : Upto 66kV Class
Cooling : ONAN/ONAF



Rectifier Transformer

Type : 6 Pulse with and without IPT and 12 Pulse with and without IPT (Double bridge construction, 24 pulse)
Range : Upto 160kA DC
Voltage : Upto 52kV Class
Cooling : ONAN/ONAF/OFWF



2x(4005/2823-2823)kVA, 33kV, 2x565V 12 Pulse Rectifier Transformer in South Africa



2x60MVA, 132/33kV Power Transformers installed at Kudendan Power Plant in Kaduna, Nigeria



40/50MVA, 132/33kV Power Transformer, ReGen Powertech, Rajasthan, India



2x20/25MVA, 110/11.5kV Power Transformers Dangote Cement, Congo

CONTACT US



+91-0124-4488635



sales_ggn@skipperseil.com



111, 1st Floor, SAS Tower B, Medicity Support Area
Sector-38, Gurgaon-122001, Haryana, India



skipperseil.com

SkipperSeil Limited
Head Office, Gurgaon

